

Document Title	HSD070I651-F**	Page No.	1/ 24
Document No.		Revision	1.0

Date : 2008/01/23

Customer Acceptance Specification

Model : **HSD070I651**

-F**

Accepted by:	
Signature	Date
Proposed by: Technical Service Division	
Signature	Date
_____	_____

- Note:1. Please contact HannStar Display Corp. before designing your product based on this module specification.
- 2.The information contained herein is presented merely to indicate the characteristics and performance of our products. No responsibility is assumed by HannStar for any intellectual property claims or other problems that may result from application based on the module described herein.



Document Title	HSD0701651-F**	Page No.	2/ 24
Document No.		Revision	1.0

Record of Revisions

Rev.	Date	Sub-Model	Description of change
1.0	Jan., 23, 2008	F**	Preliminary Product Specification was first issued.

The information contained in this document is the exclusive property of HannStar Display Corporation. It shall not be disclosed, distributed or reproduced in whole or in part without written permission of

Document Title	HSD070I651-F**	Page No.	3/ 24
Document No.		Revision	1.0

Contents

1.0	General description	p.4
2.0	Absolute maximum ratings	p.5
3.0	Optical characteristics	p.6
4.0	Block diagram	p.10
5.0	Interface pin connection	p.11
6.0	Electrical characteristics	p.13
7.0	Reliability test items.....	p.19
8.0	Outline dimension	p.20
9.0	Lot mark	p.21
10.0	Package specification	p.22
11.0	General precaution	p.23

Document Title	HSD0701651-F**	Page No.	4/ 24
Document No.		Revision	1.0

1.0 GENERAL DESCRIPTION

1.1 Introduction

HannStar Display model HSD0701651-F is a color active matrix thin film transistor (TFT) liquid crystal display (LCD) that uses amorphous silicon TFT as a switching device. This model is composed of a TFT LCD panel, a driving circuit and a back light system. This TFT LCD has a 7.0 (16:9) inch diagonally measured active display area with 1440 x 234 dot (480 horizontal by 234 vertical pixel) resolution.

1.2 Features

- 7 (16:9 diagonal) inch configuration
- Compatible with NTSC & PAL system
- Image Reversion: UP/DOWN and LEFT/RIGHT
- RoHS Compliance

1.3 Applications

- Digital Photo frame
- Portable DVD
- Multimedia applications and Others AV system

1.4 General information

Item	Specification	Unit
Outline Dimension	164.2 x 99.2 x 5.3 (Typ.)	mm
Display area	154.08(H) x 86.58(V)	mm
Number of Pixel	480 RGB(H) x234(V)	pixels
Pixel pitch	0.321(H) x 0.370(V)	mm
Pixel arrangement	RGB Vertical stripe	
Display mode	Normally white	
Surface treatment	Antiglare, Hard-Coating(3H) with EWV film	
Weight	(160) (Typ.)	g
Back-light	Single LED (Side-Light type)	
Power Consumption	B/L System (1.62)(Max.)	W

1.5 Mechanical Information

Item	Min.	Typ.	Max.	Unit	
Module Size	Horizontal(H)	163.95	164.2	164.45	mm
	Vertical(V)	98.95	99.2	99.45	mm
	Depth(D)	5.1	5.3	5.5	mm
Weight (Without inverter)	—	(160)	—	g	

Document Title	HSD0701651-F**	Page No.	5/ 24
Document No.		Revision	1.0

2.0 ABSOLUTE MAXIMUM RATINGS

2.1 Electrical Absolute Rating

2.1.1 TFT LCD Module

Item	Symbol	Min.	Max.	Unit	Note
Power supply voltage	DV_{DD}	-0.3	6.0	V	GND=0
	V_{GH}	-0.3	15	V	GND=0
	V_{GL}	-10	0.3	V	GND=0
	$V_{GH} - V_{GL}$	-10	15	V	
	AV_{DD}	-0.3	7.0	V	AGND=0
	V_{COM}	-1.6	5.2	V	
Analog Signal Input Level	V_R, V_G, V_B	-0.2	$AV_{DD}+0.2$	V	
Logic Signal Input Level	V_I	-0.3	$DV_{DD} +0.3$	V	

2.1.2 Back-Light Unit

Item	Symbol	Typ.	Max.	Unit	Note
LED current	I_L	--	120	mA	(1) (2)
LED voltage	V_L	9.8	10.6	V	(1) (2)(3)

Note (1) Permanent damage may occur to the LCD module if beyond this specification. Functional operation should be restricted to the conditions described under normal operating conditions.

(2) $T_a = 25 \pm 2^\circ\text{C}$

(3) Test Condition: LED current 120 mA

2.2 Environment Absolute Rating

Item	Symbol	Min.	Max.	Unit	Note
Operating Temperature	T_{opa}	-20	60	$^\circ\text{C}$	
Storage Temperature	T_{stg}	-30	70	$^\circ\text{C}$	

Document Title	HSD0701651-F**	Page No.	6/ 24
Document No.		Revision	1.0

3.0 OPTICAL CHARACTERISTICS

3.1 Optical specification

Item		Symbol	Condition	Min.	Typ.	Max.	Unit	Note
Contrast		CR	$\theta=0$ Normal viewing angle	400	500	—		(1)(2)
Response time	Rising	T_R		—	5	7	msec	(1)(3)
	Falling	T_F		—	20	28		
White luminance (Center)		Y_L	$CR>10$	290	330	360	cd/m ²	(1)(4) ($I_L=100mA$)
Color chromaticity (CIE1931)	White	W_x		TBD	0.310	TBD		(1)(4)
		W_y		TBD	0.330	TBD		
Viewing angle	Hor.	θ_L		TBD	80	—		
		θ_R	TBD	80	—			
	Ver.	θ_U	TBD	80	—			
		θ_D	TBD	80	—			
Brightness uniformity		B_{UNI}	$\theta=0$	70	—	—	%	(5)
Optima View Direction		6 O' clock						(6)

3.2 Measuring Condition

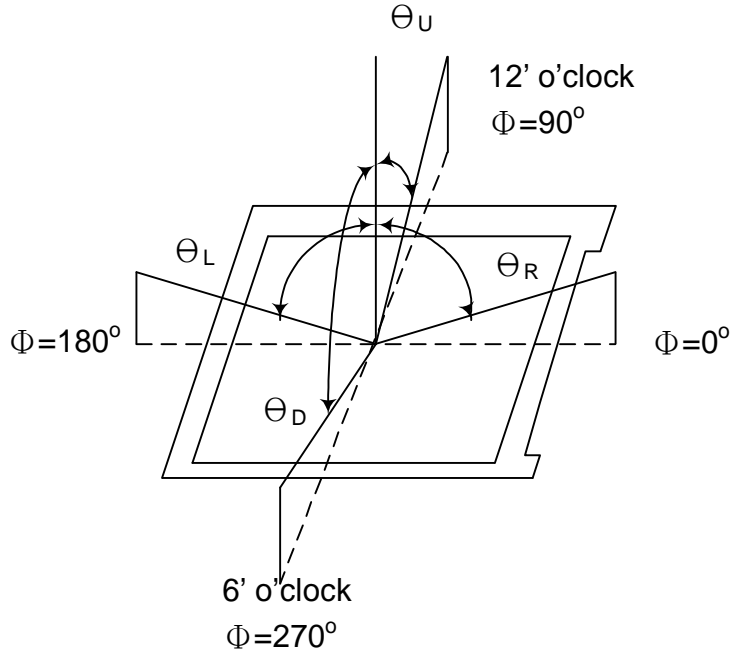
- Measuring surrounding : dark room
- LED current I_L : 120mA
- Ambient temperature : 25±2°C
- 30min. warm-up time.

3.3 Measuring Equipment

- FPM520 of Westar Display technologies, INC., which utilized SR-3 for Chromaticity and BM-5A for other optical characteristics.
- Measuring spot size : 20 ~ 21 mm

Document Title	HSD0701651-F**	Page No.	7/ 24
Document No.		Revision	1.0

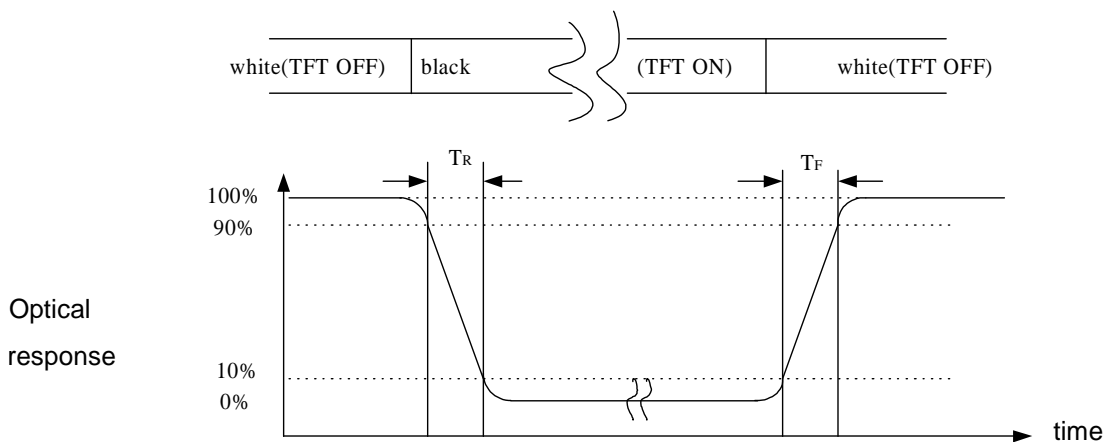
Note (1) Definition of Viewing Angle :



Note (2) Definition of Contrast Ratio(CR) :
measured at the center point of panel

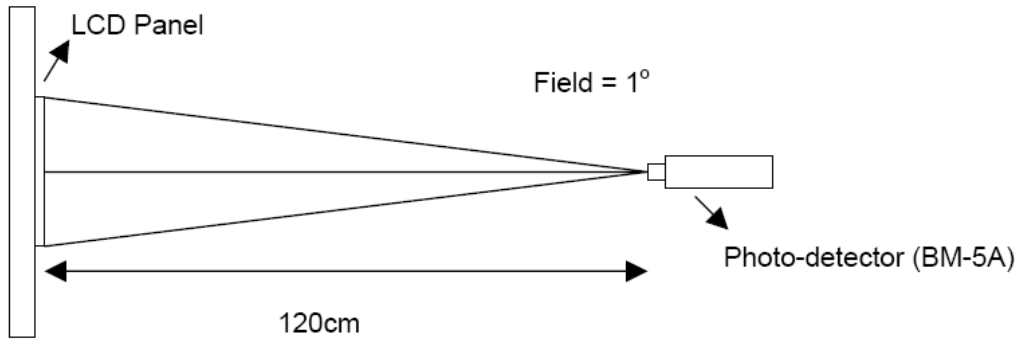
$$CR = \frac{\text{Luminance with all pixels white}}{\text{Luminance with all pixels black}}$$

Note (3) Definition of Response Time : Sum of T_R and T_F



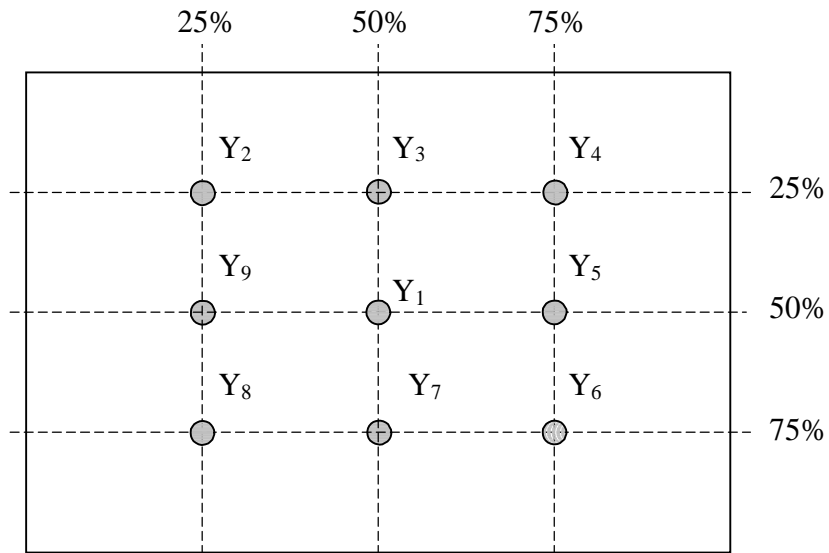
Document Title	HSD0701651-F**	Page No.	8/ 24
Document No.		Revision	1.0

Note (4) Definition of optical measurement setup



Document Title	HSD0701651-F**	Page No.	9/ 24
Document No.		Revision	1.0

Note (5) Definition of brightness uniformity



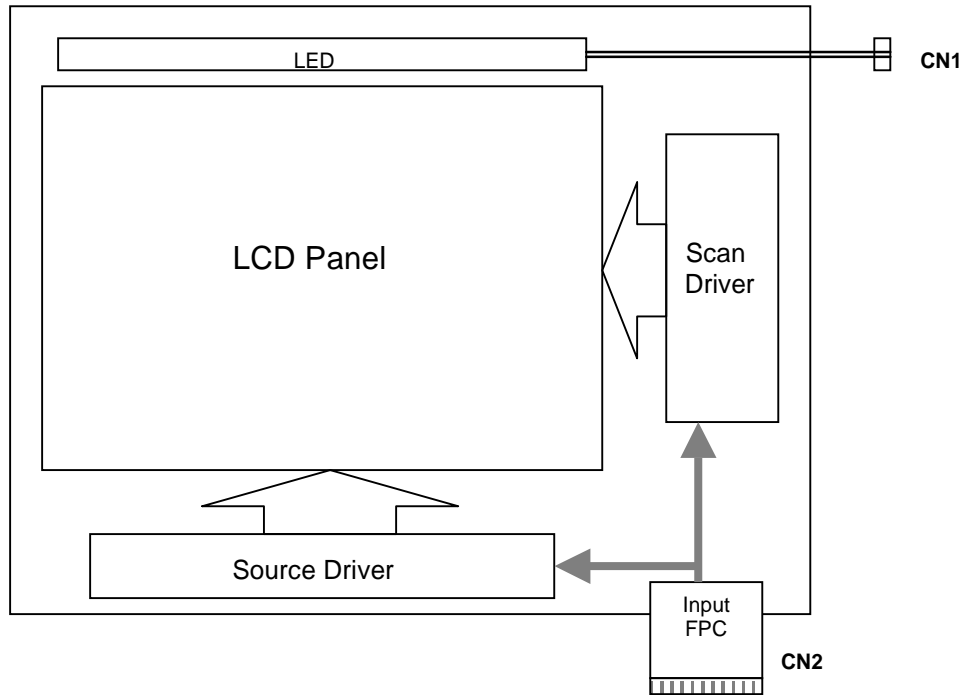
$$\text{Luminance uniformity} = \frac{\text{(Min Luminance of 9 points)}}{\text{(Max Luminance of 9 points)}} \times 100\%$$

Note (6) Rubbing Direction (The different Rubbing Direction will cause the different optima view direction.)

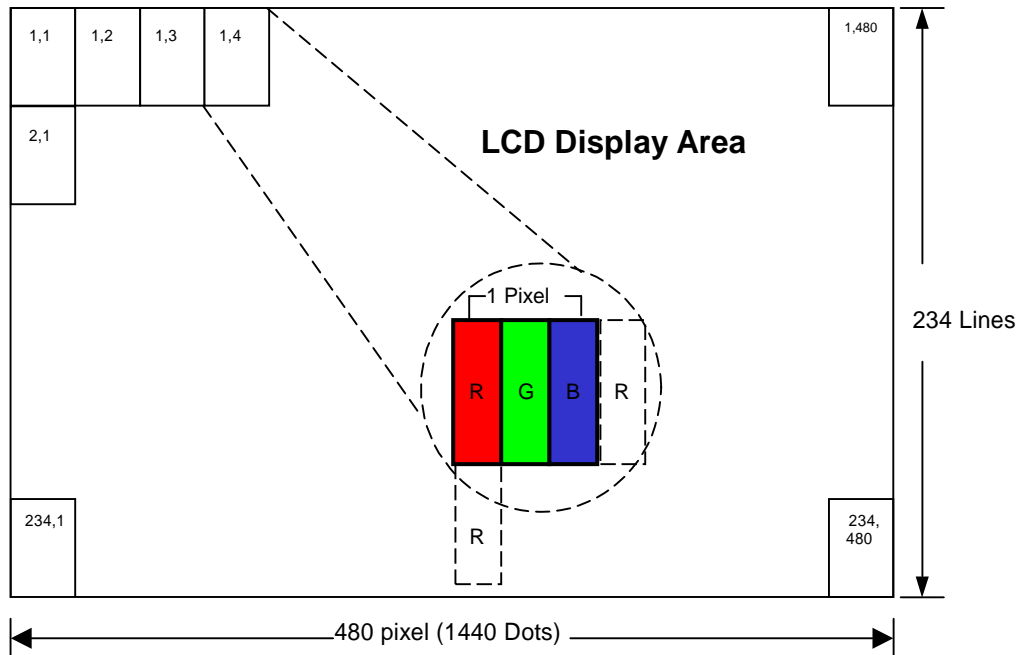
Document Title	HSD070I651-F**	Page No.	10/ 24
Document No.		Revision	1.0

4.0 BLOCK DIAGRAM

4.1 TFT LCD Module



4.2 Pixel Format



Document Title	HSD0701651-F**	Page No.	11/ 24
Document No.		Revision	1.0

5.0 INTERFACE PIN CONNECTION

5.1 TFT LCD Module

CN2 (Input signal): FPC Down Connector, 26 pins, pitch: 0.5mm

Terminal no.	Symbol	I/O	Function	Note
1	DGND	-	Ground for logic circuit	
2	DV _{DD}	I	Supply voltage of logic control circuit for scan (Gate) driver	
3	V _{GL}	I	Negative power for scan (Gate) driver	
4	V _{GH}	I	Positive power for scan (Gate) driver	
5	STVD	I/O	Vertical start pulse	(1)
6	STVU	I/O	Vertical start pulse	(1)
7	CKV	I	Shift clock input for scan (Gate) driver	
8	U/D	I	UP/DOWN scan control input	(1)
9	OEV	I	Output enable input for scan(Gate) driver	
10	V _{COM}	I	Common electrode driving signal	
11	V _{COM}	I	Common electrode driving signal	
12	L/R	I	LEFT/RIGHT scan control input	(1)
13	MOD	I	Sequential sampling and simultaneous sampling setting	(2)
14	OEH	I	Output enable input for data (Source) driver	
15	STHL	I/O	Start pulse for horizontal scan (Gate) line	(1)
16	STHR	I/O	Start pulse for horizontal scan (Gate) line	(1)
17	CPH3	I	Sampling and shifting clock pulse for data (Source) driver	(2)
18	CPH2	I	Sampling and shifting clock pulse for data (Source) driver	(2)
19	CPH1	I	Sampling and shifting clock pulse for data (Source) driver	
20	DV _{DD}	I	Supply voltage of logic control circuit for data(Source) driver	
21	DGND	-	Ground for logic circuit	
22	V _R	I	Alternated video signal input(Red)	
23	V _G	I	Alternated video signal input(Green)	
24	V _B	I	Alternated video signal input(blue)	
25	AV _{DD}	I	Supply voltage for analog circuit	
26	AGND	-	Ground for analog circuit	

Note (1) Selection of scanning mode (please refer to the following table)

Setting of scan control input		IN/OUT state for start pulse				Scanning direction
U/D	L/R	STVD	STVU	STHR	STHL	
GND	DV _{DD}	Output	Input	Output	Input	up to down, and from left to right.
DV _{DD}	GND	Input	Output	Input	Output	down to up, and from right to left.
GND	GND	Output	Input	Input	Output	up to down, and from right to left.
DV _{DD}	DV _{DD}	Input	Output	Output	Input	down to up, and from left to right.

Note (2) MOD=H: Simultaneous sampling.(Please check CPH2 and CPH3 to GND when MOD=H)
 MOD=L: Sequential sampling.

Document Title	HSD070I651-F**	Page No.	12/ 24
Document No.		Revision	1.0

5.2 Back-Light Unit

CN1 LED Power Source (**BHSR-02VS-1**) / JAPAN SOLDERLESS TERMINAL MFG CO., LTD.
Mating Connector: (**SBHT-002T-P0.5**) / JAPAN SOLDERLESS TERMINAL MFG CO., LTD.

Terminal no.	Symbol	Function
1	VL	LED power supply (high voltage)
2	GL	LED power supply (low voltage)

Document Title	HSD0701651-F**	Page No.	13/ 24
Document No.		Revision	1.0

6.0 ELECTRICAL CHARACTERISTICS

6.1 TFT LCD Module

Item	Symbol	Min.	Typ.	Max.	Unit	Note
Supply Voltage	DV_{DD}	3	3.3	5.5	V	
	V_{GH}	14.3	15	15.7	V	
	V_{GL}	-10.5	-10	-9.5	V	
	AV_{DD}	4.5	5	5.5	V	
Video signal amplitude (VR, VG, VB)	V_{iA}	0.4	-	$AV_{DD}-0.4$	V	
	V_{iAC}	-	3	-	V	AC component,
	V_{iDC}	-	$AV_{DD}/2$	-	V	DC component
VCOM	V_{CAC}	-	4.7	-	VP-P	AC component
	V_{CDC}	1.6	1.8	2.0	V	DC component, (1)
Input signal voltage	V_{iH}	$0.8DV_{DD}$	-	DV_{DD}	V	(2)
	V_{iL}	0	-	$0.2 DV_{DD}$	V	(2)
Current of power supply	I_{DD}	-	127	-	uA	$DV_{DD} = 3.3V$
	I_{ADD}	-	7.0	-	mA	$AV_{DD}=5V(\text{Black})$
	I_{GH}	-	70	-	uA	$V_{GH}=15V$
	I_{GL}	-	65	-	uA	$V_{GL}=-10V$

Note (1): The brightness of LCD panel could be changed by adjusting the AC component of V_{COM} .

Note (2): STHL, STHR, OEH, L/R, CPH1~CPH3, STVD, STVU, OEV, CKV, U/D

Note (3): Be sure to apply the power voltage as the power sequence spec.

Note (4) : DGND=AGND=0V,)

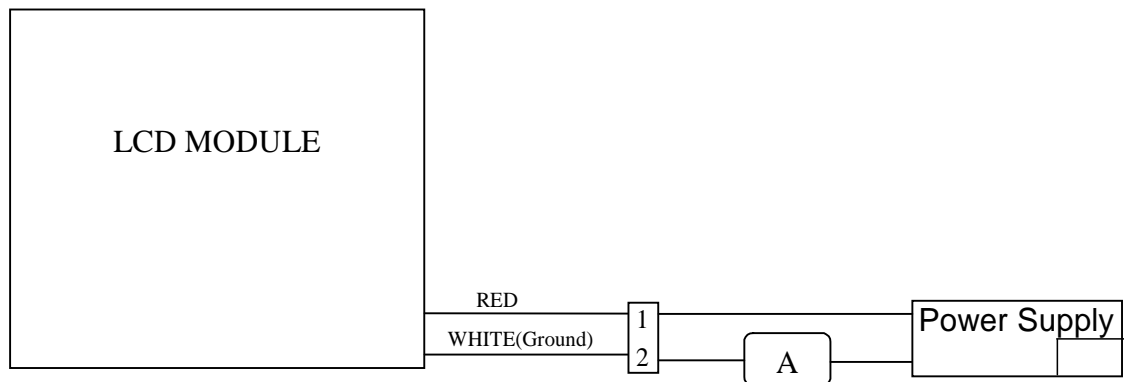
Document Title	HSD0701651-F**	Page No.	14/ 24
Document No.		Revision	1.0

6.2 Back-Light Unit

The back-light system is an edge-lighting type with 18 LED.

The characteristics of the LED is shown in the following tables.

Item	Symbol	Min.	Typ.	Max.	Unit	Note
LED current	IL	—	—	120	mA	
LED voltage	VL	—	9.8	10.6	V	
Operating LED life time	Hr	20,000	—	—	Hour	(1)



Note (1) LED life time (Hr) can be defined as the time in which it continues to operate under the condition : $T_a=25\pm 3^\circ\text{C}$, typical IL value indicated in the above table until the brightness becomes less than 50%.

Document Title	HSD0701651-F**	Page No.	15/ 24
Document No.		Revision	1.0

6.3 AC Characteristics

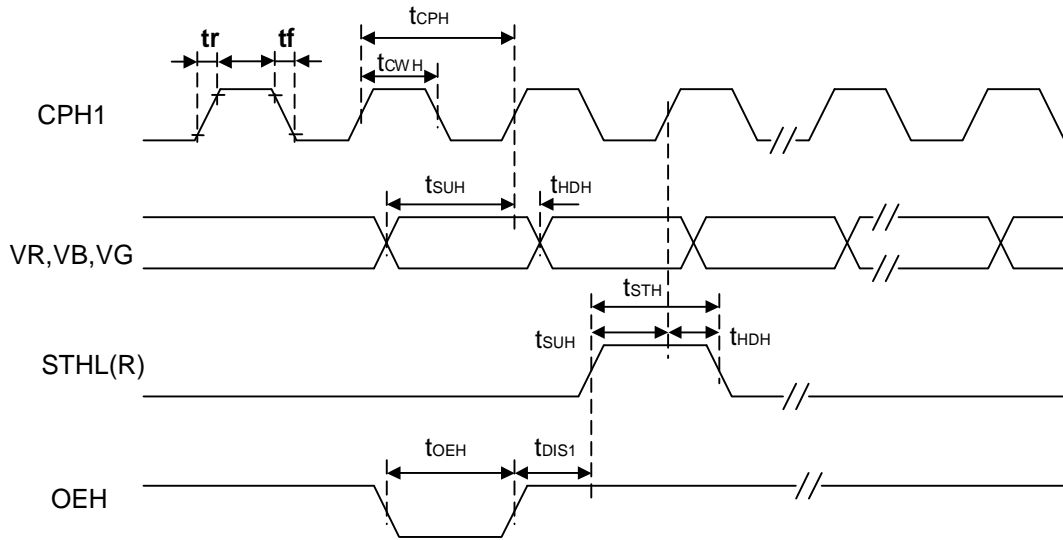
Item	Symbol	Min.	Typ.	Max.	Unit	Note
Rising time	t _r	-	-	10	ns	(1)
Falling time	t _f	-	-	10	ns	(1)
High and low level pulse duty	t _{CPH}	100	103	-	ns	CPH1~CPH3
CPH pulse duty	t _{CWH}	40	50	60		CPH1~CPH3
STH setup time	t _{SUH}	20	-	-	ns	STHR,STHL
STH hold time	t _{HDH}	10	-	-	ns	STHR,STHL
STH pulse width	t _{STH}	-	1	-	t _{CPH}	STHR,STHL
STH period	t _H	61.5	63.5	65.5	μs	STHR,STHL
OEH pulse width	t _{OEH}	-	1.23	-	μs	OEH
Sample and hold disable time	t _{DIS1}	-	8.19	-	μs	
OEV pulse width	t _{OEV}	-	4.77	-	μs	OEV
CKV pulse width	t _{CKV}	-	3.91	-	μs	CKV
Clean enable time	t _{DIS2}	-	3.90	-	μs	
Horizontal display timing range	t _{DH}	-	1440	-	t _{CPH} /3	
STV setup time	t _{SUV}	200	-	-	ns	STVD,STVU
STV hold time	t _{HDV}	300	-	-	ns	STVD,STVU
STV pulse width	t _{STV}	-	1	-	t _H	STVD,STVU
Horizontal line per field	t _V	256	262	268	t _H	(2)
Vertical display start	t _{SV}		3	-	t _H	
Vertical display timing range	t _{DV}		234	-	t _H	
VCOM Rising time	t _{COM}		-	5	μs	
VCOM Falling time	t _{COM}		-	5	μs	
VCOM delay time	t _{COM}		-	3	μs	
RGB delay time	t _{DRGB}		*	1	μs	

Note (1): For all of the logic signals.

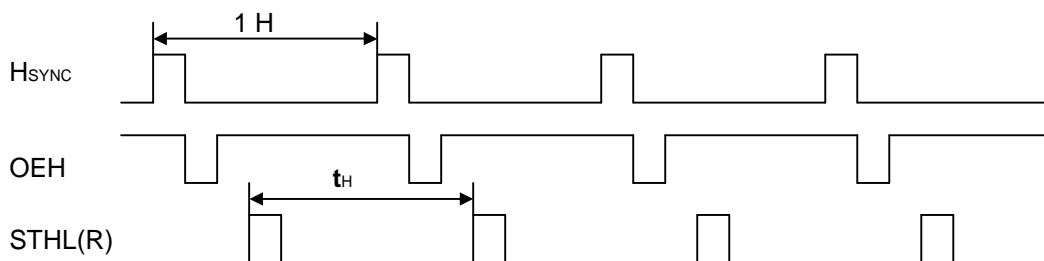
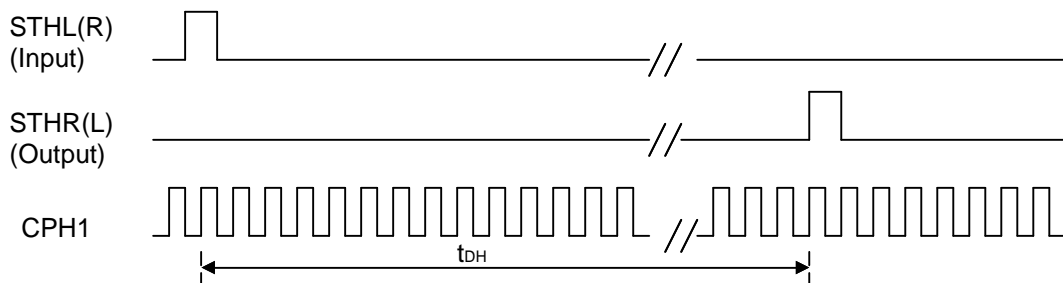
Note (2): Please don't use odd horizontal lines to drive LCD panel for both odd and even filed simultaneously.

Document Title	HSD0701651-F**	Page No.	16/ 24
Document No.		Revision	1.0

6.4 Timing Diagram of Interface Signal

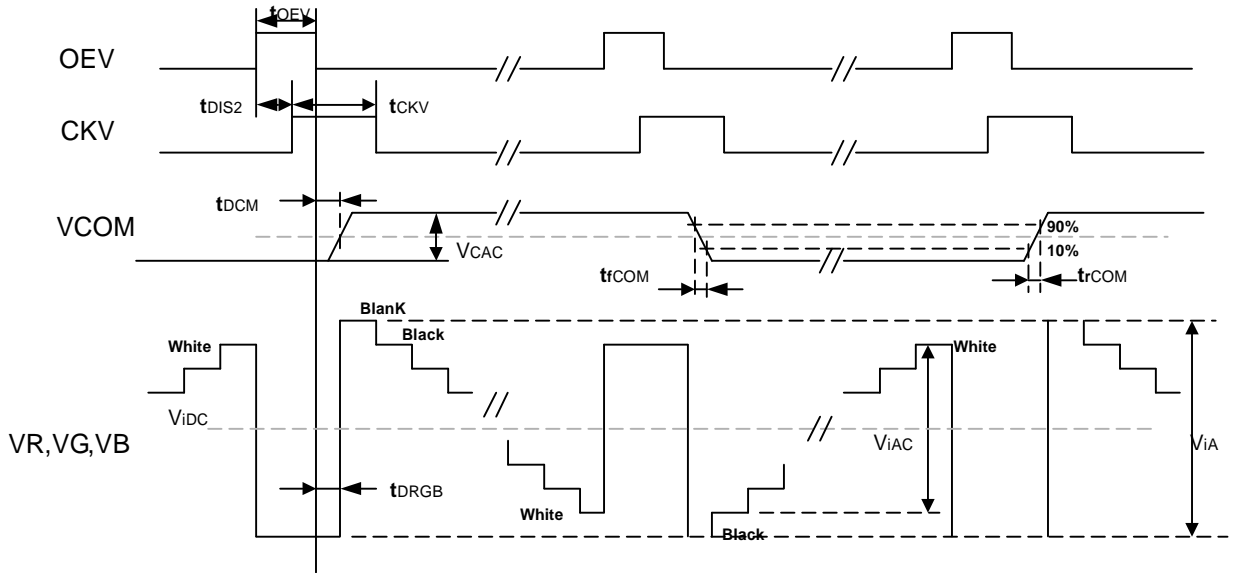


Sampling clock timing

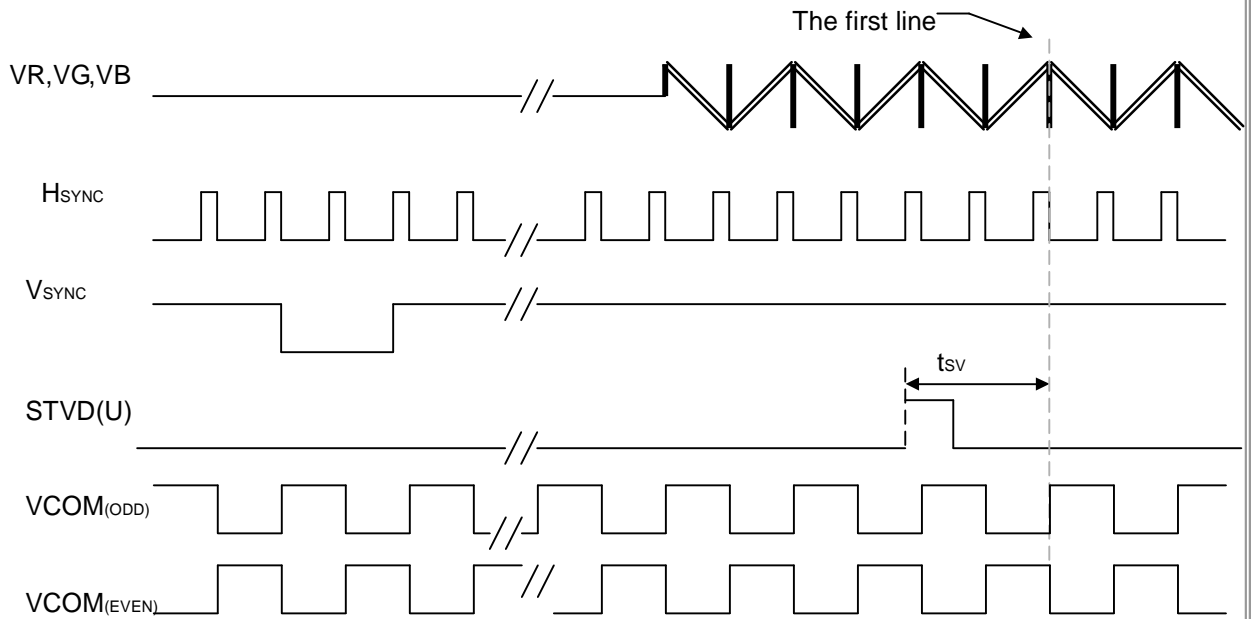


Horizontal display timing range

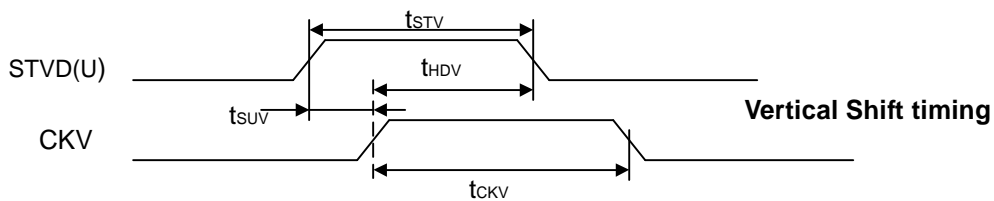
Document Title	HSD0701651-F**	Page No.	17/ 24
Document No.		Revision	1.0



Detail Horizontal timing



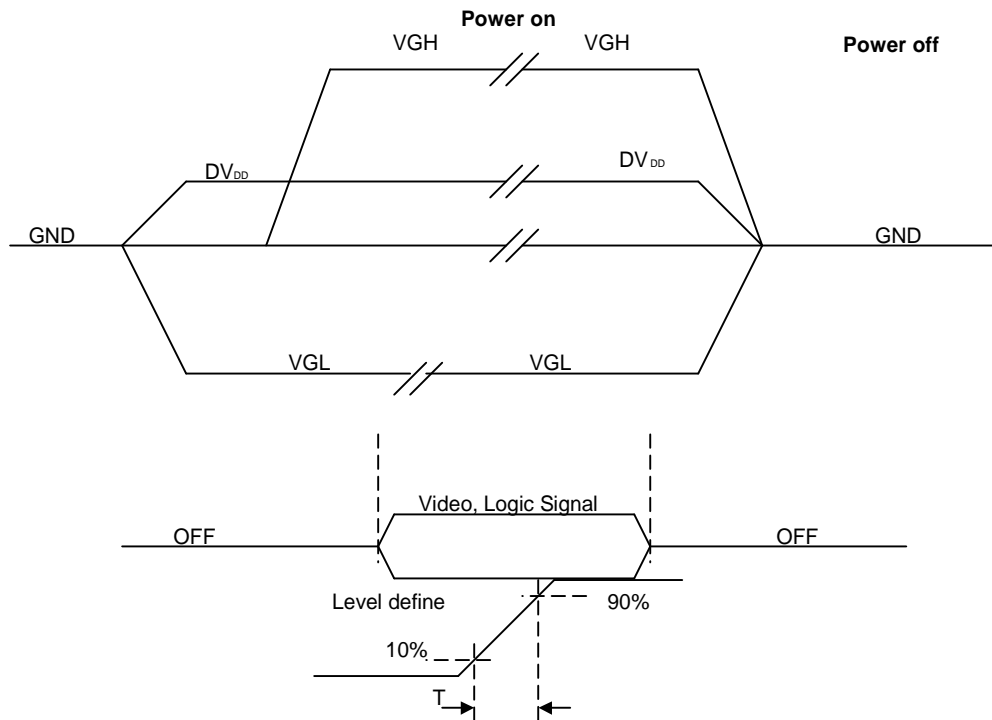
Vertical timing



Vertical Shift timing

Document Title	HSD070I651-F**	Page No.	18/ 24
Document No.		Revision	1.0

6.5 Power Sequence



Power Sequence: DV_{DD} -> VGL -> VGH

Note Apply the LED voltage within the LCD operation range. When the back-light turns on before the LCD operation or the LCD turns off before the back-light turns off, the display may momentarily become white.

Document Title	HSD070I651-F**	Page No.	19/ 24
Document No.		Revision	1.0

7.0 Reliability test items

No.	Item	Conditions	Remark
1	High Temperature Storage	Ta=+70°C, 240hrs	
2	Low Temperature Storage	Ta=-30°C, 240hrs	
3	High Temperature Operation	Ta=+60°C, 240hrs	
4	Low Temperature Operation	Ta=-20°C, 240hrs	
5	High Temperature and High Humidity (operation)	Ta=+60°C, 90%RH, 240hrs	
6	Thermal Cycling Test (non operation)	-30°C(30min) → +70°C(30min), 200cycles	
7	Electrostatic Discharge	±200V,200pF(0Ω) 1 time/each terminal	
8	Vibration	1.Random: 1.04Grms, 10~500Hz, X/Y/Z, 30min/each direction 2.Sweep sine: 1.5G, 5~500Hz, X/Y/Z, 30min/each direction	
9	Shock	100G,6ms, ±X, ±Y, ±Z 3 time for each direction	JIS C7021, A-10 (Condition A)
10	Vibration (with carton)	Random: 1.04Grms, 10~500Hz, X/Y/Z 45min/each direction Fixed: 5Hz, 1.5Grms, X/Y/Z 45min/each direction	
11	Drop (with carton)	Height: 60cm 1 corner, 3 edges, 6 surfaces	JIS Z0202

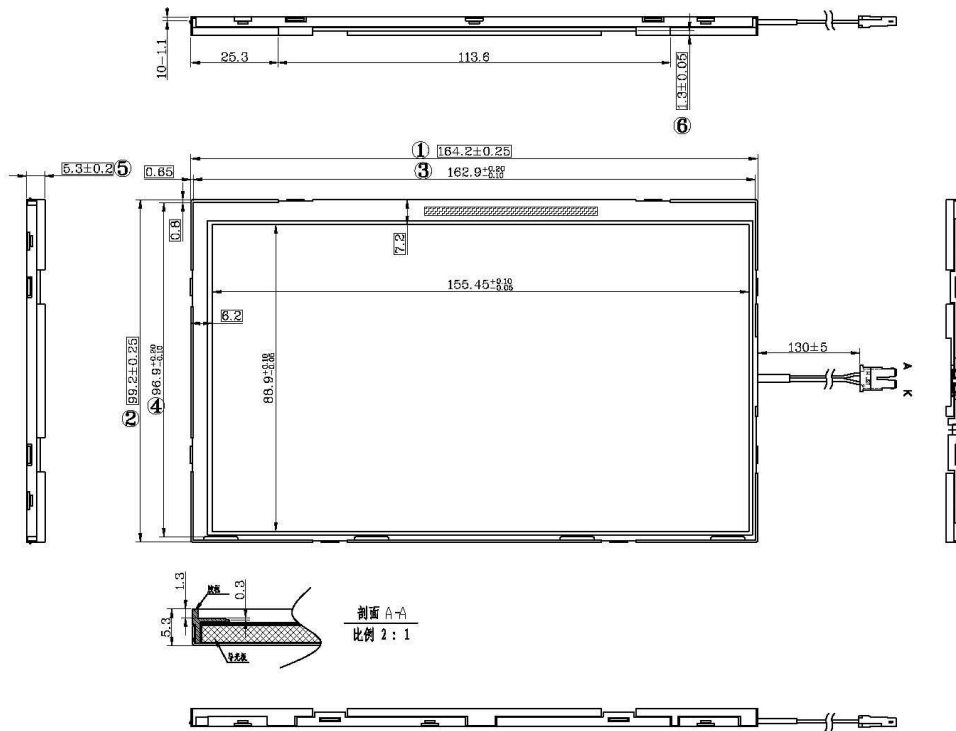
Note: There are no display function NG issue occurred, All the cosmetic specification is judged before the reliability stress.

Document Title	HSD0701651-F**	Page No.	20/ 24
Document No.		Revision	1.0

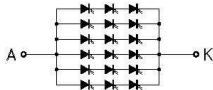
8.0 OUTLINE DIMENSION

8.1 Outline Dimension

Unit : mm



2. 电路图 CIRCUIT DIAGRAM (LED 3X6=18 dices)



3. 电光特性 ELECTRICAL-OPTICAL CHARACTERISTICS

(环境温度 Ta=25°C. The Ambient temperature Ta=25°C)

项目 Item	符号 Symbol	测定条件 Condition	最小值 min.	典型值 typ.	最大值 max.	单位 Unit
正向电压 Forward Voltage	U	If= 120 mA	9.0	9.8	10.6	V
反向电流 Reverse Current	Ir	Vr= 5 V			18*10	μA
板限功耗 Power dissipation	Pd	If= 180 mA			1.67	W
色坐标 Colour Coordinates Each Chip	X Y	If= 120 mA	X: 0.26 Y: 0.76		X: 0.37 Y: 0.37	
亮度(中心亮度) Luminance (Center Area)	Lv	If= 120 mA	4000	4300		cd/m ²
均匀性 Luminous Uniformity		If= 170 mA	75	80		%

工作温度 Operating Temperature Range	Topr	正常使用 normal use	-70		+60	°C
储存温度 Storage Temperature Range	Tstg	正常使用 normal use	-30		+70	°C

Document Title	HSD070I651-F**	Page No.	21/ 24
Document No.		Revision	1.0

9.0 LOT MARK

9.1 Lot Mark

1	2	3	4	5	6	7	8	9	10	11	12	13	14	15
---	---	---	---	---	---	---	---	---	----	----	----	----	----	----

code 1,2,3,4,5,6: HannStar internal flow control code.

code 7: production location.

code 8: production year.

code 9: production month.

code 10,11,12,13,14,15: serial number.

Note (1) Production Year

Year	1999	2000	2001	2002	2003	2004	2005	2006	2007	2008
Mark	9	0	1	2	3	4	5	6	7	8

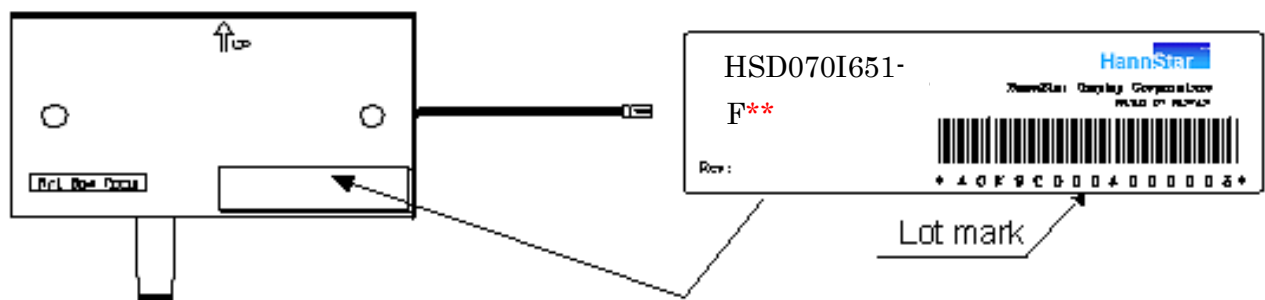
Note (2) Production Month

Month	Jan.	Feb.	Mar.	Apr.	May.	Jun.	Jul.	Aug.	Sep.	Oct	Nov.	Dec.
Mark	1	2	3	4	5	6	7	8	9	A	B	C

9.2 Location of Lot Mark

(1) The label is attached to the backside of the LCD module. (2)

This is subject to change without prior notice.



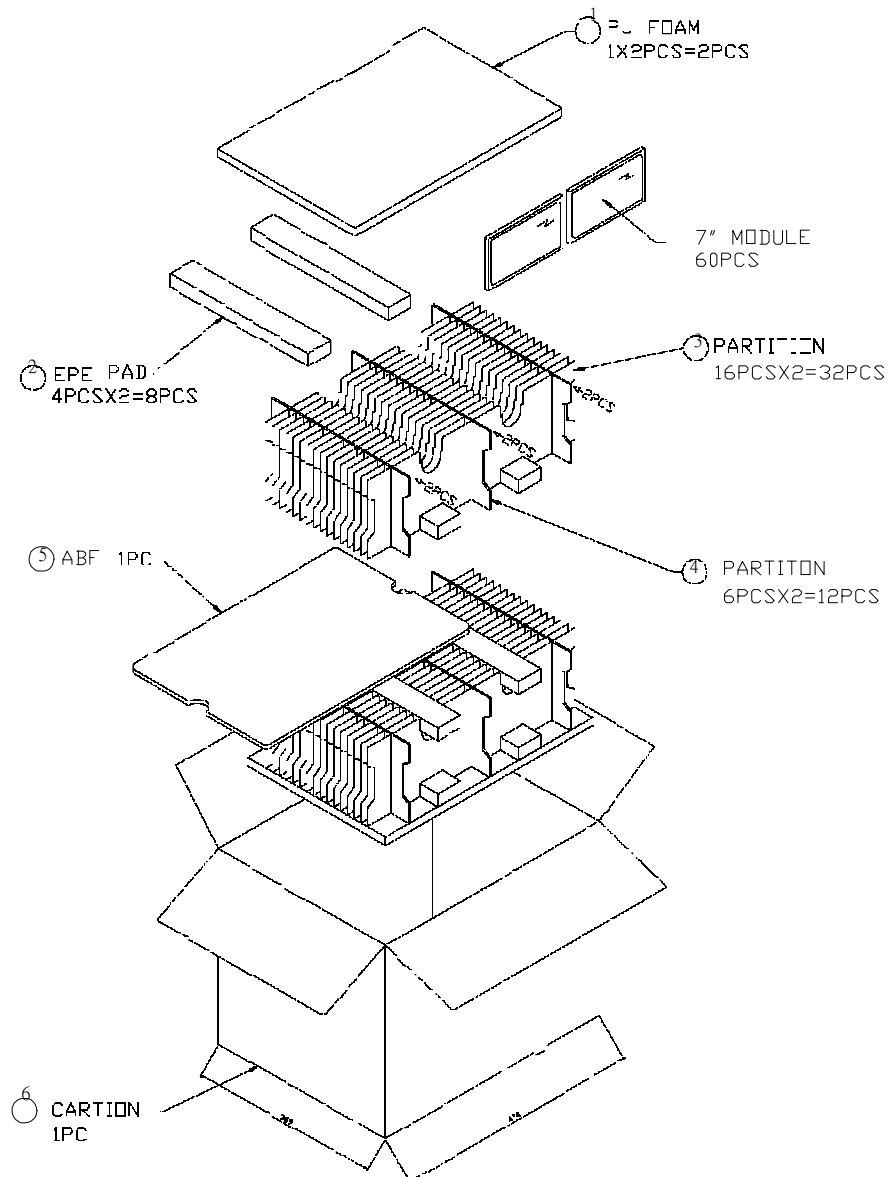
Document Title	HSD0701651-F**	Page No.	22/ 24
Document No.		Revision	1.0

10.0 PACKAGE SPECIFICATION

10.1 packing form

- (1) Package quantity in one carton: 60 pieces.
- (2) Carton size: 464±3 mm×360±3 mm×370±3 mm.
- (3) For domestic transportation only.

10.2 packing assembly drawings



Document Title	HSD070I651-F**	Page No.	23/ 24
Document No.		Revision	1.0

11.0 GENERAL PRECAUTION

11.1 Use Restriction

This product is not authorized for use in life supporting systems, aircraft navigation control systems, military systems and any other application where performance failure could be life-threatening or otherwise catastrophic.

11.2 Disassembling or Modification

Do not disassemble or modify the module. It may damage sensitive parts inside LCD module, and may cause scratches or dust on the display. HannStar does not warrant the module, if customers disassemble or modify the module.

11.3 Breakage of LCD Panel

11.3.1. If LCD panel is broken and liquid crystal spills out, do not ingest or inhale liquid crystal, and do not contact liquid crystal with skin.

11.3.2. If liquid crystal contacts mouth or eyes, rinse out with water immediately.

11.3.3. If liquid crystal contacts skin or cloths, wash it off immediately with alcohol and rinse thoroughly with water.

11.3.4. Handle carefully with chips of glass that may cause injury, when the glass is broken.

11.4 Electric Shock

11.4.1. Disconnect power supply before handling LCD module.

11.4.2. Do not pull or fold the LED cable.

11.4.3. Do not touch the parts inside LCD modules and the fluorescent LED's connector or cables in order to prevent electric shock.

11.5 Absolute Maximum Ratings and Power Protection Circuit

11.5.1. Do not exceed the absolute maximum rating values, such as the supply voltage variation, input voltage variation, variation in parts' parameters, environmental temperature, etc., otherwise LCD module may be damaged.

11.5.2. Please do not leave LCD module in the environment of high humidity and high temperature for a long time.

11.5.3. It's recommended to employ protection circuit for power supply.

11.6 Operation

11.6.1 Do not touch, push or rub the polarizer with anything harder than HB pencil lead.

11.6.2 Use fingerstalls of soft gloves in order to keep clean display quality, when persons handle the LCD module for incoming inspection or assembly.

11.6.3 When the surface is dusty, please wipe gently with absorbent cotton or other soft material.

Document Title	HSD070I651-F**	Page No.	24/ 24
Document No.		Revision	1.0

- 11.6.4 Wipe off saliva or water drops as soon as possible. If saliva or water drops contact with polarizer for a long time, they may causes deformation or color fading.
- 11.6.5 When cleaning the adhesives, please use absorbent cotton wetted with a little petroleum benzine or other adequate solvent.

11.7 Mechanism

Please mount LCD module by using mouting holes arranged in four corners tightly.

11.8 Static Electricity

- 11.8.1 Protection film must remove very slowly from the surface of LCD module to prevent from electrostatic occurrence.
- 11.8.2. Because LCD module use CMOS-IC on circuit board and TFT-LCD panel, it is very weak to electrostatic discharge. Please be careful with electrostatic discharge.
Persons who handle the module should be grounded through adequate methods.

11.9 Strong Light Exposure

The module shall not be exposed under strong light such as direct sunlight. Otherwise, display characteristics may be changed.

11.10 Disposal

When disposing LCD module, obey the local environmental regulations.